



Visite la página TRAXXAS.com/manuals para descargar el instrucciones en su idioma.

Auf TRAXXAS.com/manuals können Sie anleitung in Ihrer Sprache downloaden.

Wheelie Bar Installation Instructions

Covers Parts #9576, 9576G, 9576R, 9576T, 9576X

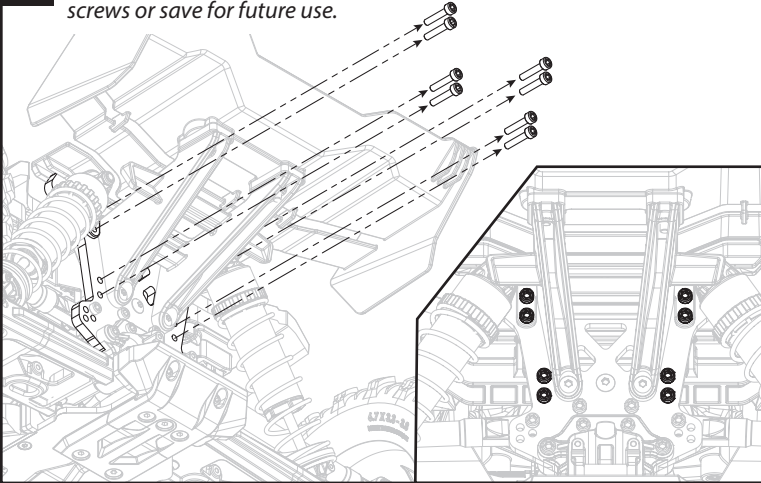
Kit contents:

- Wheelie bar assembly
- 3x20mm cap screws (CS) (8)

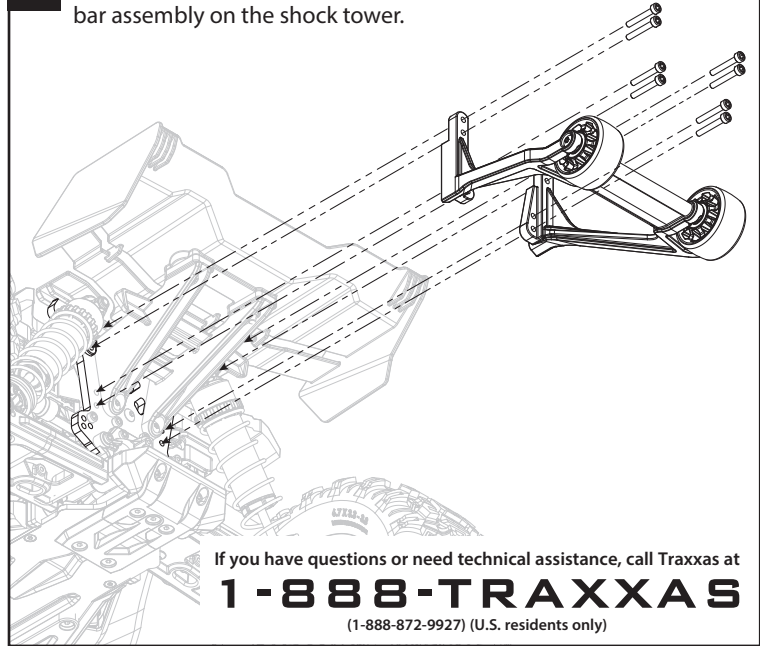
Tools required:

- 2.5mm hex wrench

- 1** Remove the 3x15mm CS (8) from the rear shock tower. *Discard the screws or save for future use.*



- 2** Use the included 3x20mm CS (8) to install the wheelie bar assembly on the shock tower.



If you have questions or need technical assistance, call Traxxas at

1-888-TRAXXAS

(1-888-872-9927) (U.S. residents only)

TRAXXAS.COM

Traxxas, 6250 Traxxas Way, McKinney, TX 75070, Phone: 972-549-3000, Fax: 972-549-3011, e-mail: support@Traxxas.com

KC3098-R00 Rev 221025